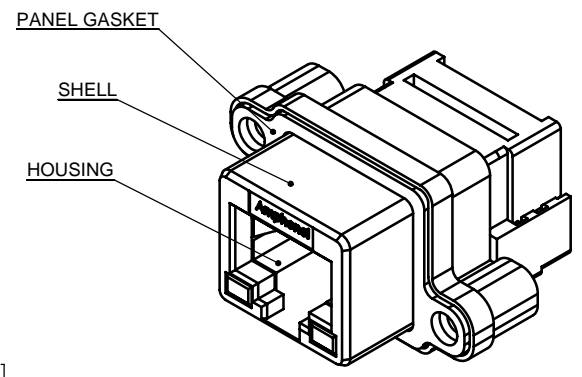
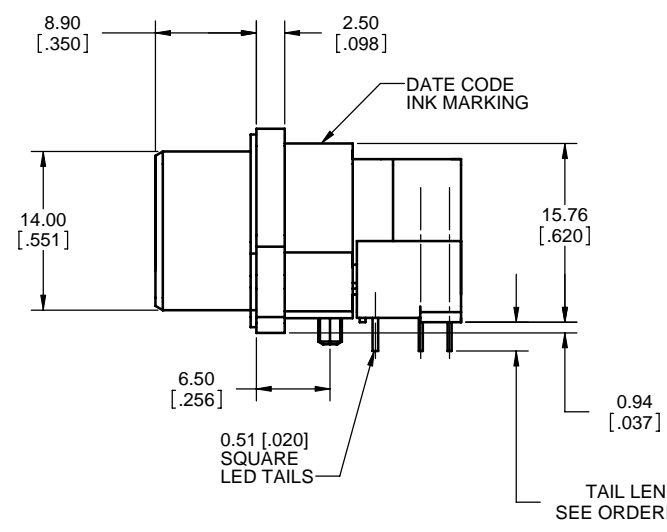
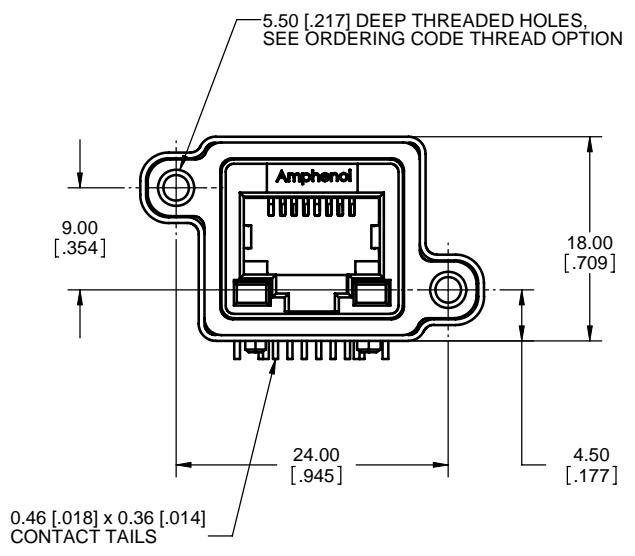


REVISIONS			
REV	ECN, ERN NO.	DATE	APPRD.
G	PRODUCT DRAWING	JAN18/08	K.L.



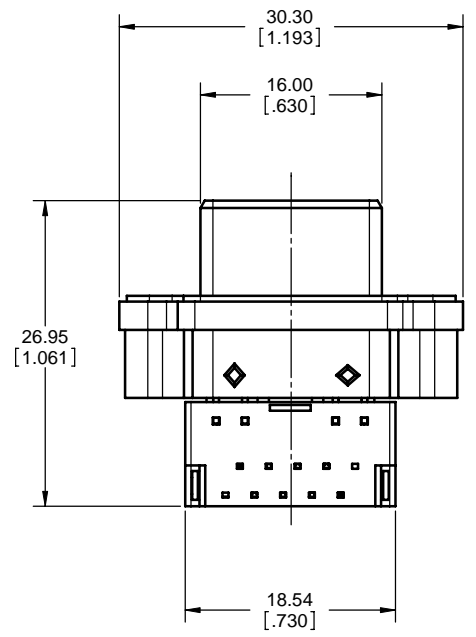
NOTES:

- MATERIAL:**
ALL MATERIALS ARE RoHS COMPLIANT PER EU DIRECTIVE 2002/95/EC AND AMENDMENTS
 - SHELL - DIECAST ZINC, NICKEL PLATED
 - CONTACTS - PHOSPHOR BRONZE WITH 50 MICROINCHES (1.27 MICRONS) GOLD OVER 50 MICROINCHES (1.27 MICRONS) MINIMUM NICKEL ON THE MATING AREA AND MATTE TIN OVER NICKEL ON THE CONTACT TAILS.
 - INSERTS - ENGINEERING THERMOPLASTIC, UL FLAMMABILITY RATING 94V-0, REAR INSERTS: BLACK, FRONT INSERT: CLEAR
 - LED'S - EPOXY LENS, STEEL TAILS WITH TIN PLATING
 - GASKET - SILICONE RUBBER
- ENVIRONMENTAL PERFORMANCE PER IEC 60529 CODE IP67 FOR SEAL BETWEEN MATING AREA AND PCB SIDE OF CONNECTOR. GASKET PROVIDES FOR SEAL TO INSIDE FACE OF PANEL.**
- CURRENT RATING: 1.5 AMPERES**
- CONTACT RESISTANCE: 30 MILLIOHMS MAXIMUM**
- OPERATING TEMPERATURE: -40C TO +105C**
- CONNECTOR SEAL TO WITHSTAND 34.5 KPa (5 PSI) PRESSURE AFTER TEMPERATURE EXPOSURE OF 150°C FOR 180 SECONDS (CONNECTOR PRE-HEAT) AND 265 °C FOR 8 SECONDS (SOLDER DIP TAILS).**
- RECOMMENDED TORQUE FOR PANEL MOUNT SCREWS: 0.45 TO 0.65 Nm (4.00 - 5.75 IN-LBS) FOR STEEL SCREWS WITH 3.00 (.118) THREAD ENGAGEMENT.**



ORDERING CODE: **MRJ-53XX-X1**

- SERIES, RUGGED RJ
- RECEPTACLE, RIGHT ANGLE, PCB TAIL
- NUMBER OF CONTACTS
8= 8 CONTACTS
A=10 CONTACTS
- LED OPTION
0=NONE
1=GREEN LEFT, YELLOW RIGHT
4=YELLOW LEFT, GREEN RIGHT
5=GREEN LEFT, GREEN RIGHT
- TAIL LENGTH AND MOUNTING HOLE THREAD OPTION
0= TAIL LENGTH A=2.54 [.100], #4-40 UNC THREAD
B= TAIL LENGTH A=3.81 [.150], #4-40 UNC THREAD
M= TAIL LENGTH A=2.54 [.100], M3 x 0.5 THREAD
P= TAIL LENGTH A=3.81 [.150], M3 x 0.5 THREAD
- SINGLE PORT



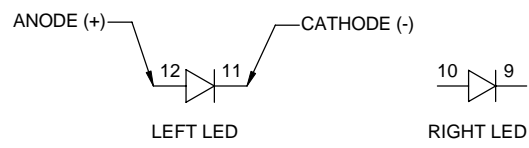
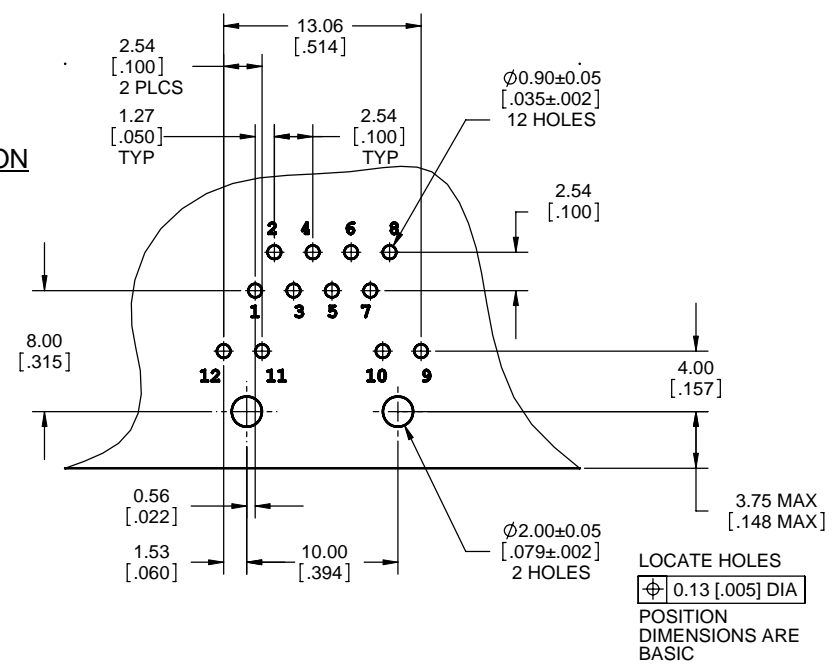
PROPRIETARY AND CONFIDENTIAL
THIS DOCUMENT CONTAINS PROPRIETARY INFORMATION AND SUCH INFORMATION MAY NOT BE DISCLOSED TO OTHERS FOR ANY PURPOSE OR USED FOR MANUFACTURING PURPOSES WITHOUT WRITTEN PERMISSION FROM AMPHENOL CANADA CORP.

UNLESS OTHERWISE SPECIFIED:		DATE	Amphenol Canada Corp.
DIMENSIONS ARE IN MILLIMETERS		NOV11/04	
TOLERANCES:		DRAWN S.SEMENOV	MRJ SERIES RUGGED MODULAR JACK, 8 & 10 POSITION RIGHT ANGLE, WITH LED, TAIL LENGTH & THREAD OPTIONS, RoHS COMPLIANT
FRACTIONAL ±		DESIGNED S.SEMENOV	
ANGULAR MATCH ± BEND ±		CHECKED	SIZE DWG. NO. REV C P-MRJ-53XX-X1 G
TWO PLACE DECIMAL ±		I.E. APPRD.	
THREE PLACE DECIMAL ±		D.A. APPRD.	SCALE: 3:1 WEIGHT: SHEET 1 OF 2
INTERPRET GEOMETRIC TOLERANCING PER:		DWG. APPRD. A.GREEN	
MATERIAL:		ENG. REL. NO.	
FINISH	REF.	DIMENSIONS ARE IN MILLIMETERS	
APPLICATION	DO NOT SCALE DRAWING	CODE ID. NO.	

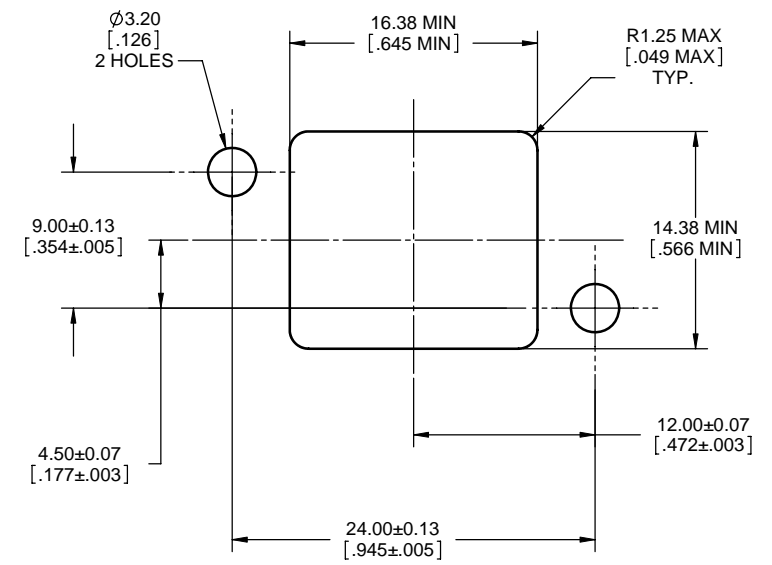
REVISIONS			
REV	ECN, ERN NO.	DATE	APPRD.
G	PRODUCT DRAWING	JAN18/08	K.L.

RECOMMENDED P.C.B. LAYOUT

8 POSITION VIEW

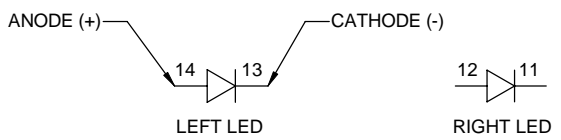
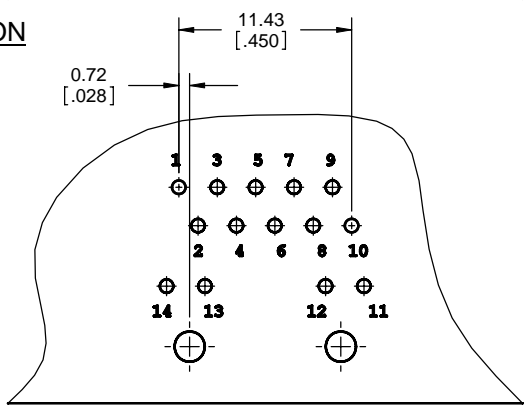


8 POSITION LED SCHEMATIC (GREEN OR YELLOW)



RECOMMENDED PANEL CUTOUT

10 POSITION VIEW



10 POSITION LED SCHEMATIC (GREEN OR YELLOW)



PROPRIETARY AND CONFIDENTIAL
THIS DOCUMENT CONTAINS PROPRIETARY INFORMATION AND SUCH INFORMATION MAY NOT BE DISCLOSED TO OTHERS FOR ANY PURPOSE OR USED FOR MANUFACTURING PURPOSES WITHOUT WRITTEN PERMISSION FROM AMPHENOL CANADA CORP.

UNLESS OTHERWISE SPECIFIED:		DATE	Amphenol Canada Corp.
DIMENSIONS ARE IN MILLIMETERS		NOV11/04	
TOLERANCES:		DRAWN: S.SEMENOV	MRJ SERIES RUGGED MODULAR JACK, 8 & 10 POSITION RIGHT ANGLE, WITH LED, TAIL LENGTH & THREAD OPTIONS, RoHS COMPLIANT
FRACTIONAL: ±		DESIGNED: S.SEMENOV	
ANGULAR: MATCH BEND ±		CHECKED:	SIZE DWG. NO. REV C P-MRJ-53XX-X1 G
TWO PLACE DECIMAL ±		I.E. APPRD:	
THREE PLACE DECIMAL ±		D.A. APPRD:	SCALE: 4:1 WEIGHT: SHEET 2 OF 2
INTERPRET GEOMETRIC TOLERANCING PER:		DWG. APPRD: A.GREEN	
MATERIAL:		ENG. REL. NO.	
FINISH:		REF.	
APPLICATION	DO NOT SCALE DRAWING	DIMENSIONS ARE IN MILLIMETERS	